

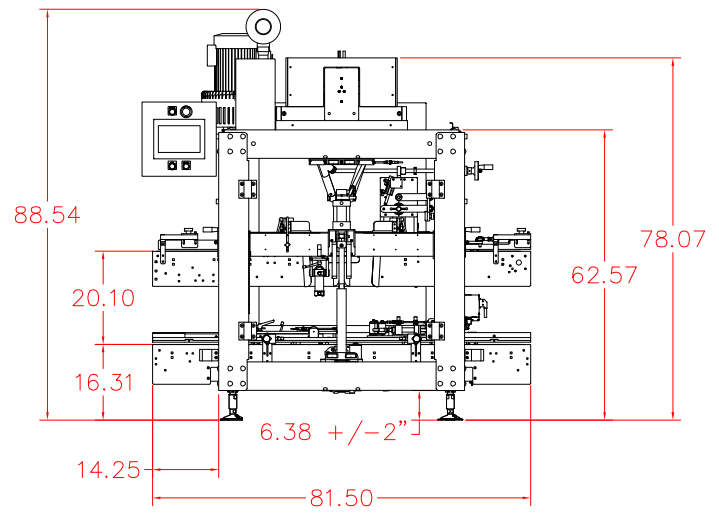
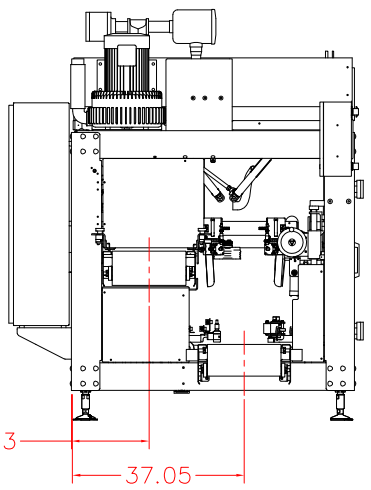
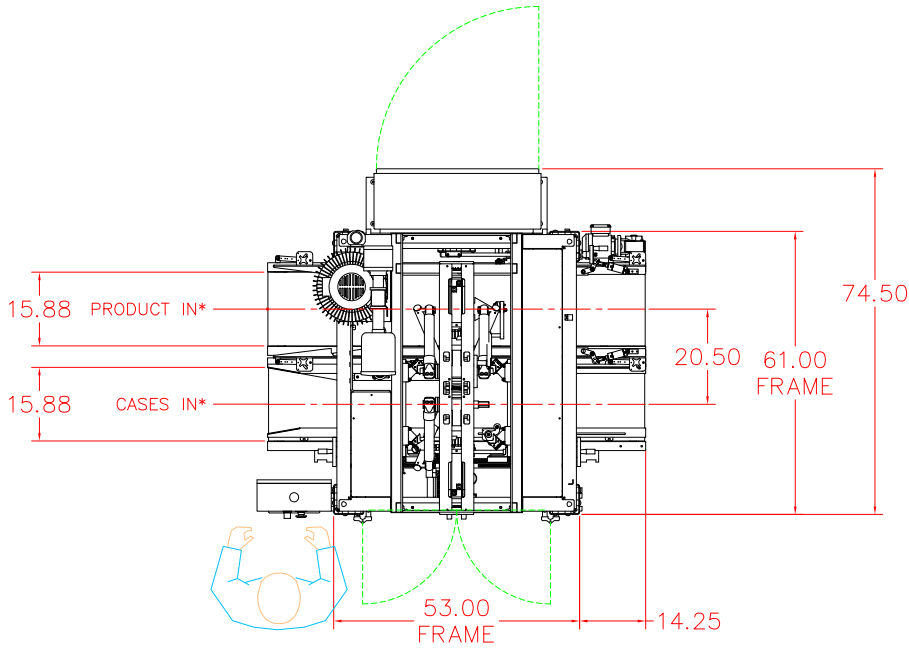
ZONE		REV	DESCRIPTION	REVISIONS	DATE	DRAFTSMAN

R700-R SPECIFICATIONS

ELECTRICAL : 480 VAC, 3 PH, 60 Hz @ 30 A
 AIR : 1/2" AIR INLET, 5 CFM @ 80 PSI
 CONTROLS : AB COMPACTLOGIX
 OIT : SCHNEIDER ELECTRIC 10" COLOR TOUCH

MIN CASE SIZES:
 LENGTH - 10"
 WIDTH - 6"
 HEIGHT WITH ONE FLAP UP - 7"
 MAX CASE SIZES:
 LENGTH - 24"
 WIDTH - 16"
 HEIGHT WITH ONE FLAP UP - 20"

* CASE PACKER CAN BE MIRRORED PRODUCT AND CASES CAN ENTER MACHINE AS SHOWN OR OPPOSITE EACH OTHER



FALLAS AUTOMATION		CUSTOMER NAME/ PLANT LOCATION:	
7000 IMPERIAL DR. WACO, TEXAS 76712 PHONE: (254) 772-9524 FAX: (254) 751-1242 www.fallasautomation.com		TITLE: FALLAS PNP CASE PACKER R700R	
DRAWN BY: CMC	SIZE: D	JOB-NO#: R700R PNP	DWG NO.:
APPROVED BY: CMC	SCALE:	DATE:	REV: -
CONFIDENTIALITY STATEMENT			
THIS DRAWING HAS NOT BEEN PUBLISHED. IT IS THE EXCLUSIVE PROPERTY OF FALLAS AUTOMATION AND IS PROVIDED TO RECIPIENT FOR HIS/HER USE ONLY. IF YOU ARE NOT THE RECIPIENT, YOU SHALL NOT REPRODUCE, COPY, OR OTHERWISE DISCLOSE TO THIRD PARTY OR OTHERWISE DISPOSE OF, DIRECTLY OR INDIRECTLY, THE ORIGINAL OR ANY DUPLICATES OF THIS DRAWING WITHOUT THE WRITTEN CONSENT OF FALLAS AUTOMATION. RECIPIENT SHALL NOT DISCLOSE TO A THIRD PARTY THE INFORMATION CONTAINED IN THIS DRAWING.			