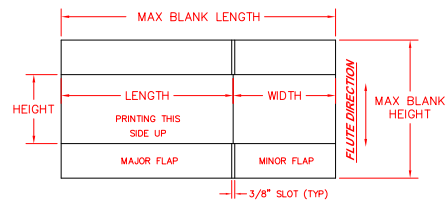
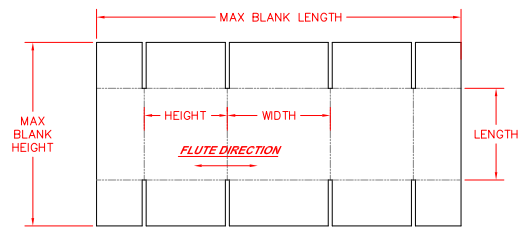


ZONE		REV	DESCRIPTION	REVISIONS	DATE	DRAFTSMAN

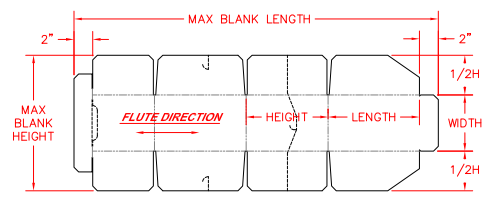
RSC & HSC CASE SIZE RANGE:
LEFT HAND SHOWN
 LENGTH MIN = 10 MAX = 24
 WIDTH 6 16
 HEIGHT 4 12
 MAX BLANK LENGTH <= 40" = (L+W)
 MAX BLANK HEIGHT <= 28" = (H+W)



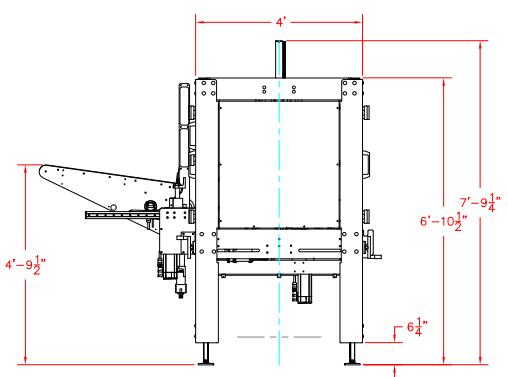
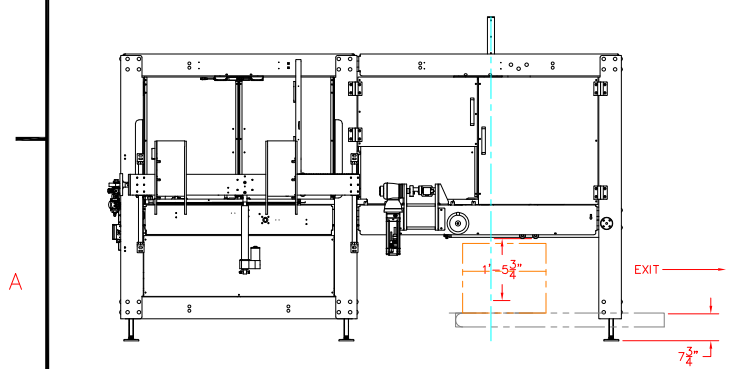
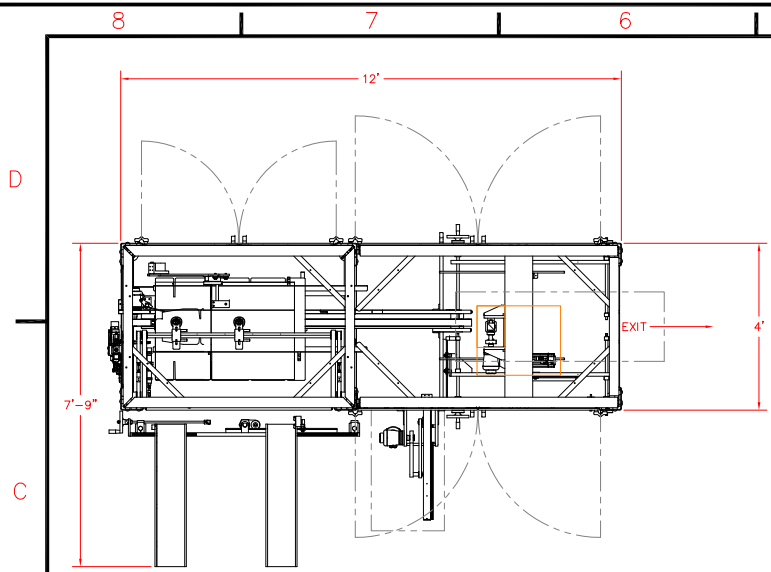
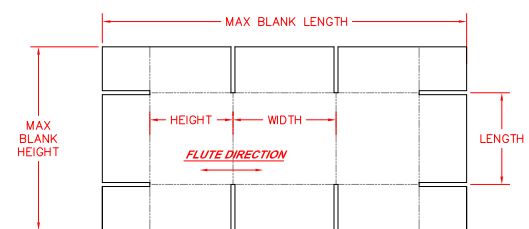
HARNESS CASE SIZE RANGE:
 LENGTH MIN = 9 MAX = VARIES
 WIDTH 5 16
 HEIGHT 6 VARIES
 MAX BLANK LENGTH <= 48" = ((W*2)+H)
 MAX BLANK HEIGHT <= 29" = (W+L)



DRC CASE SIZE RANGE:
 LENGTH MIN = 9 MAX = VARIES
 WIDTH 5 16
 HEIGHT 6 VARIES
 MAX BLANK LENGTH <= 48" = ((L+H)*2)+4
 MAX BLANK HEIGHT <= 29" = (W+H)



SPLIT MINOR CASE SIZE RANGE:
 LENGTH MIN = 9 MAX = VARIES
 WIDTH 5 16
 HEIGHT 6 VARIES
 MAX BLANK LENGTH <= 48" = ((W*2)+H)
 MAX BLANK HEIGHT <= 29" = (W+L)



FALLAS AUTOMATION 7000 IMPERIAL DR. WACO, TEXAS 76712 PHONE: (254) 772-9524 FAX: (254) 751-1242 www.fallasautomation.com	CUSTOMER NAME/ PLANT LOCATION:
	TITLE: FALLAS MODEL "THE DUO" CASE PLUNGE FORMER LEFT HAND CASE FORMER SHOWN
DRAWN BY: A LEWIS	SIZE: JOB-508 D
APPROVED BY: CMC	DWG NO.: CEA1979
SCALE: DATE:	QUOTE/PO#: REV:
CONFIDENTIALITY STATEMENT <small>THIS DRAWING HAS NOT BEEN PUBLISHED. IT IS THE EXCLUSIVE PROPERTY OF FALLAS AUTOMATION AND IS PROVIDED TO RECIPIENT FOR HIS/HER USE ONLY. UNDER THE FOLLOWING CONDITIONS: THE RECIPIENT SHALL RETURN THE DRAWING TO FALLAS AUTOMATION IMMEDIATELY UPON REQUEST, AND SHALL NOT REPRODUCE, COPY, DISCLOSE TO THIRD PARTY OR OTHERWISE DISPOSE OF, DIRECTLY OR INDIRECTLY, THE ORIGINAL OR ANY DUPLICATES OF THIS DRAWING WITHOUT THE PRIOR WRITTEN CONSENT OF FALLAS AUTOMATION. RECIPIENT SHALL NOT DISCLOSE NOR DISCLOSE TO A THIRD PARTY THE INFORMATION CONTAINED IN THIS DRAWING.</small>	