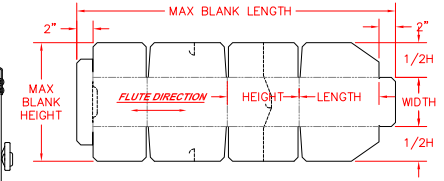
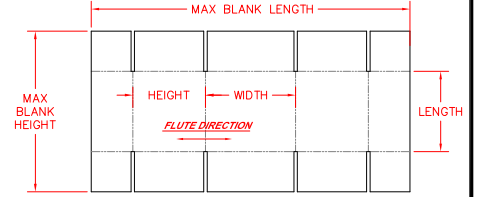


ZONE		REV	DESCRIPTION	REVISIONS	DATE	DRAFTSMAN

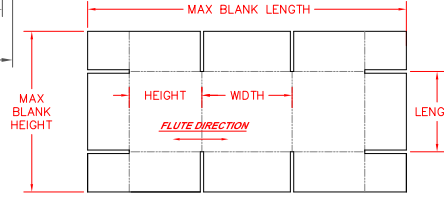
DRC CASE SIZE RANGE:
 LENGTH MIN = 9 MAX = VARIES
 WIDTH 5 16
 HEIGHT 6 VARIES
 MAX BLANK LENGTH <= 48" = (((L+H)*2)+2)
 MAX BLANK HEIGHT <= 29" = (W+H)



HARNES CASE SIZE RANGE:
 LENGTH MIN = 9 MAX = VARIES
 WIDTH 5 16
 HEIGHT 6 VARIES
 MAX BLANK LENGTH <= 48" = (((L+H)*2)+2)
 MAX BLANK HEIGHT <= 29" = (W+H)



SPLIT MINOR CASE SIZE RANGE:
 LENGTH MIN = 9 MAX = VARIES
 WIDTH 5 16
 HEIGHT 6 VARIES
 MAX BLANK LENGTH <= 48" = (((W*2)+H)
 MAX BLANK HEIGHT <= 29" = (W+L)



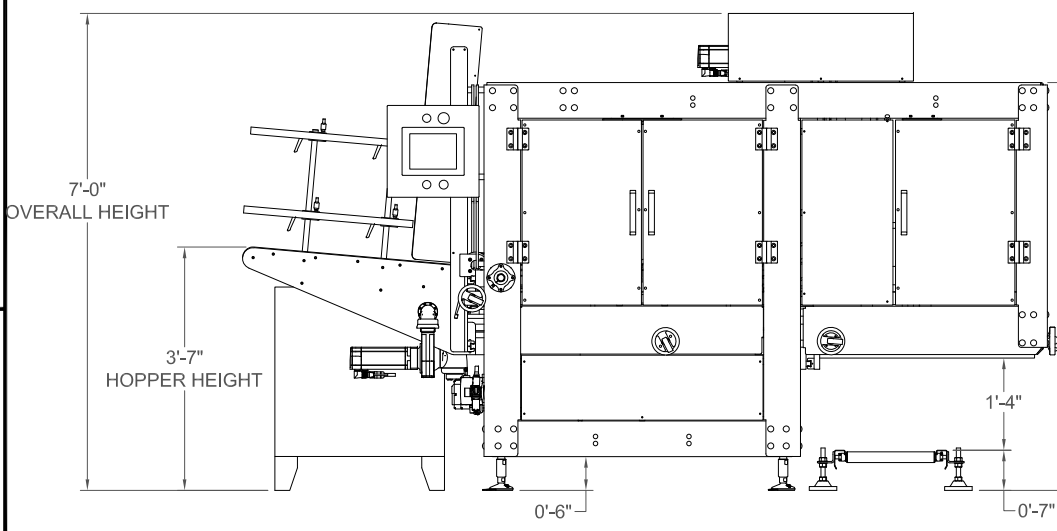
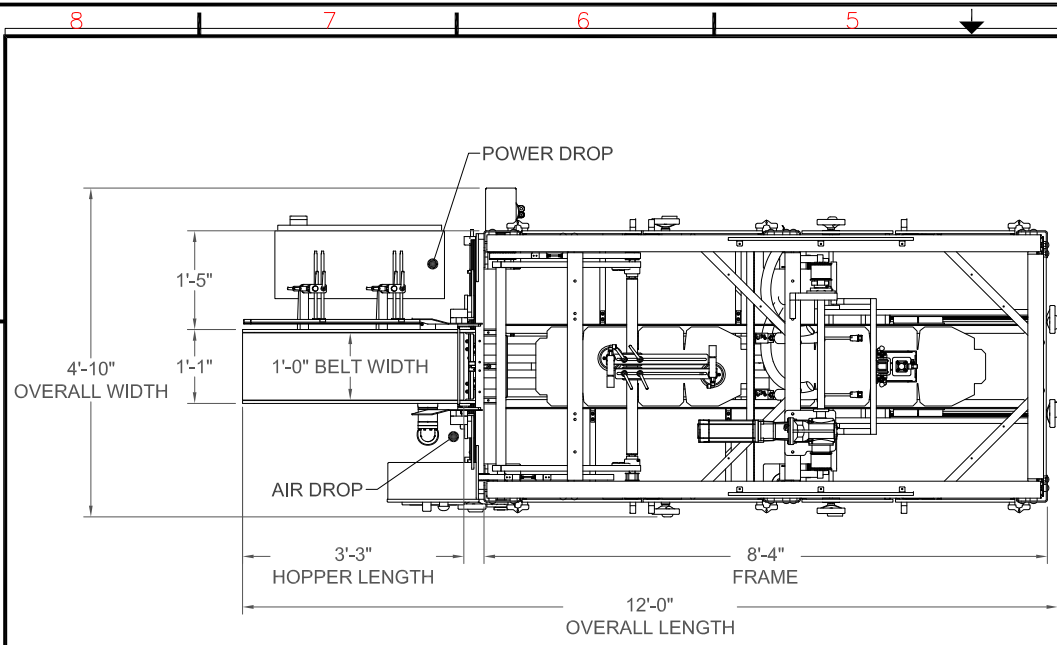
STANDARD SPECIFICATIONS FOR CE400 GLUE
 ELECTRICAL: 480 VAC, 3 PH, 60 HZ, FUSED AT 20 AMP
 OIT: SCHNEIDER ELECTRIC 3" TOUCHSCREEN COLOR
 AIR: 1/2" INLET, 5 CFM, AT 80 PSI

GLUE UNIT - SEPARATE DROP:
 ELECTRICAL: 480 VAC, 3PH, 60HZ, 10 AMP FUSED
 AIR: 1/2" INLET 0.5 CFM AT 80PSI

STANDARD CASE SIZE RANGE		
CASE	MIN	MAX
LENGTH	8	24
WIDTH	4	16
HEIGHT	4	12

FORMED CASE WITH FLAP OPEN MAX HEIGHT = 16"

ALL CASE BLANKS WILL NEED TO BE REVIEWED BY ENGINEERING PRIOR TO ORDER



FALLAS AUTOMATION
 7000 IMPERIAL DR.
 WACO, TEXAS 76712
 PHONE: (254) 772-9524
 FAX: (254) 751-1242
 www.fallasautomation.com

CUSTOMER NAME/
PLANT LOCATION:
 TITLE:
MODEL CF700 CASE FORMER

SIZE: JOB-50# DWG NO.:
D CEA1395

APPROVED BY: MCM SCALE: DATE: 11/20/19 QUOTE/PROF

CONFIDENTIALITY STATEMENT
 THIS DRAWING HAS NOT BEEN PUBLISHED. IT IS THE EXCLUSIVE PROPERTY OF FALLAS AUTOMATION AND IS PROVIDED TO REPLICANT FOR HIS/HER USE ONLY. UNDER THE FOLLOWING CONDITIONS: THE REPLICANT SHALL RETURN THE DRAWING TO FALLAS AUTOMATION IMMEDIATELY UPON RECEIPT, AND SHALL NOT REPRODUCE, COPY, DISCLOSE TO THIRD PARTY OR OTHERWISE DISPOSE OF, DIRECTLY OR INDIRECTLY, THE ORIGINAL OR ANY DUPLICATES OF THIS DRAWING WITHOUT THE PRIOR WRITTEN CONSENT OF FALLAS AUTOMATION. REPLICANT SHALL NOT DISCLOSE TO A THIRD PARTY THE INFORMATION CONTAINED IN THIS DRAWING.